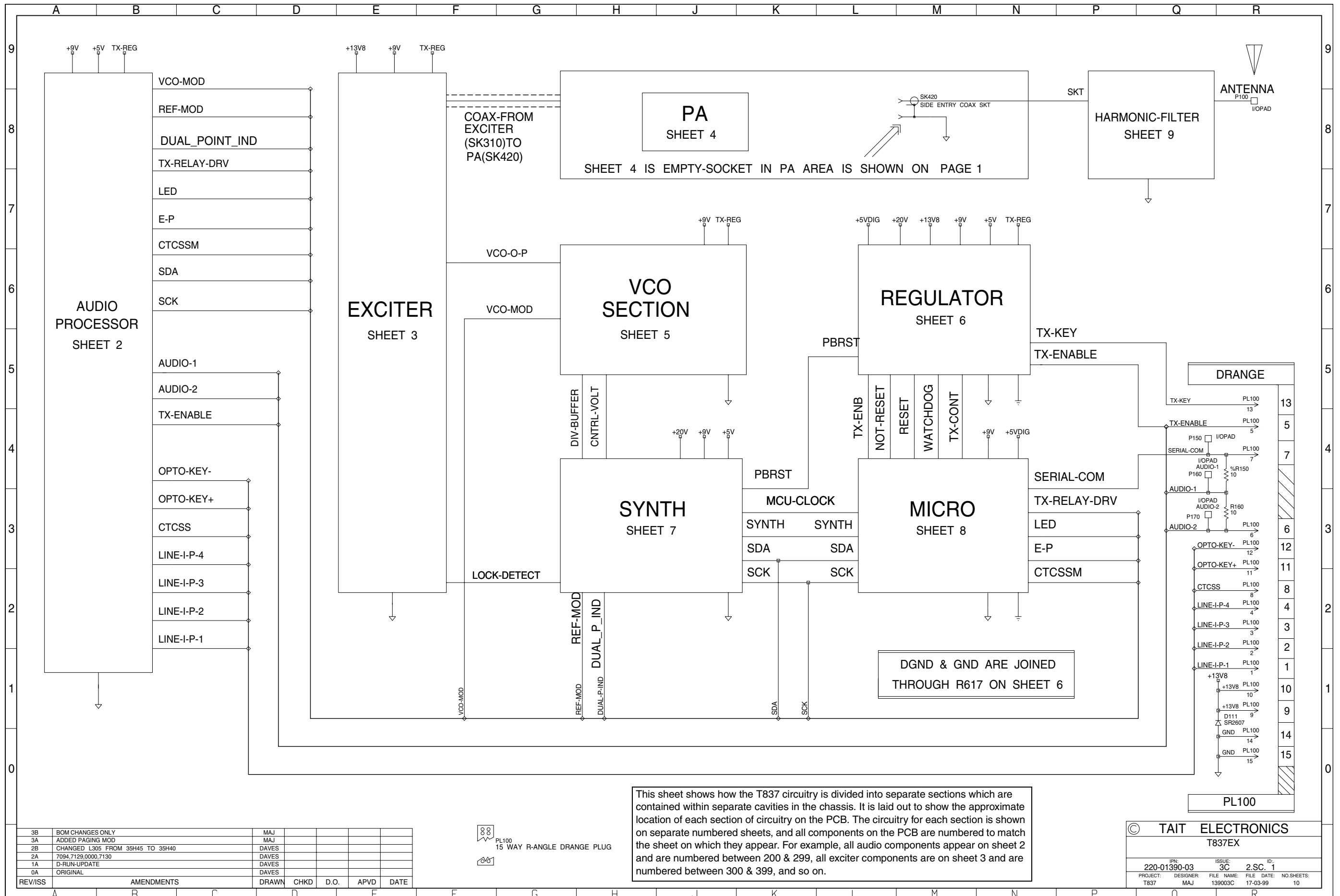


T837 PCB Layout - Bottom Side
220-01390-03

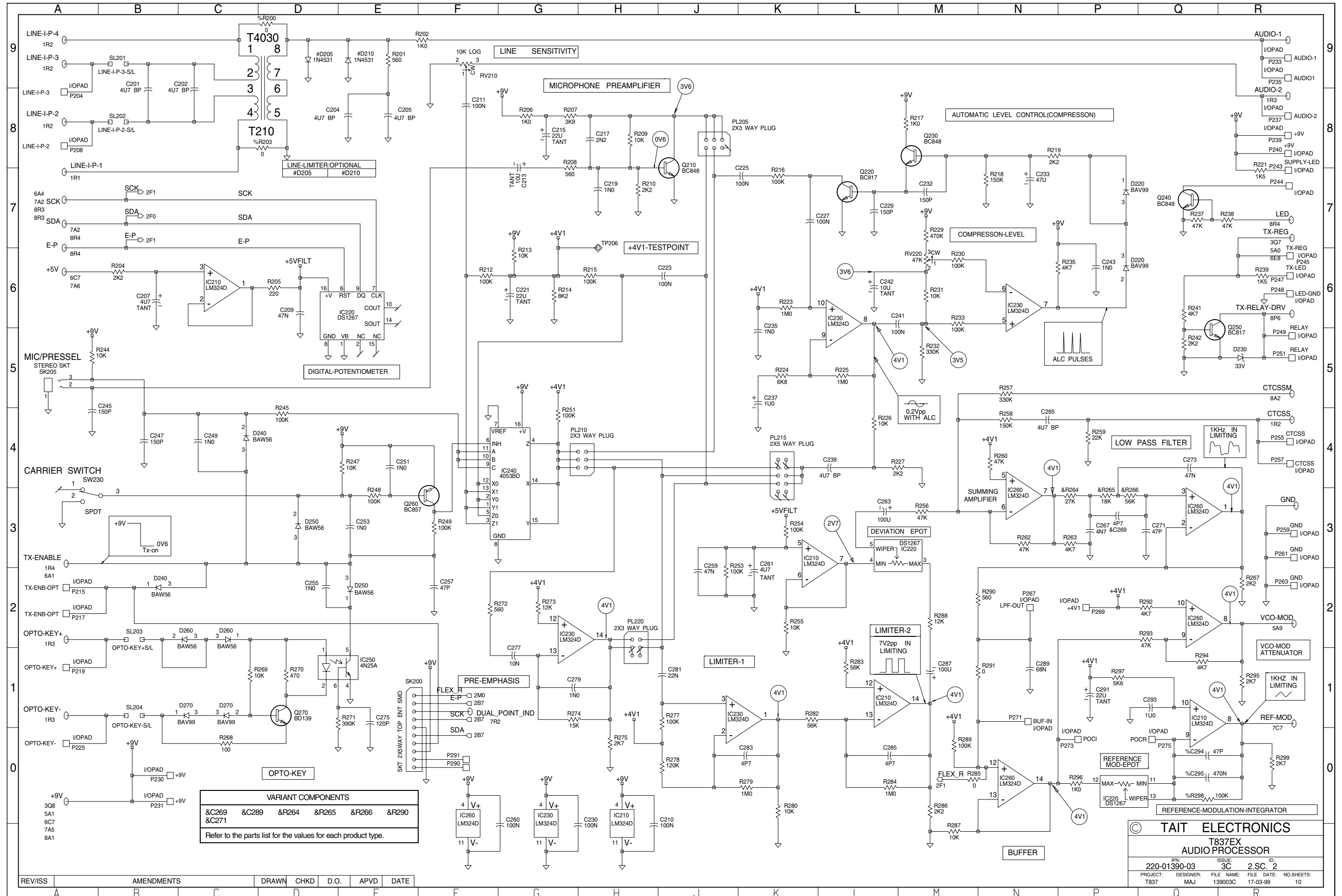


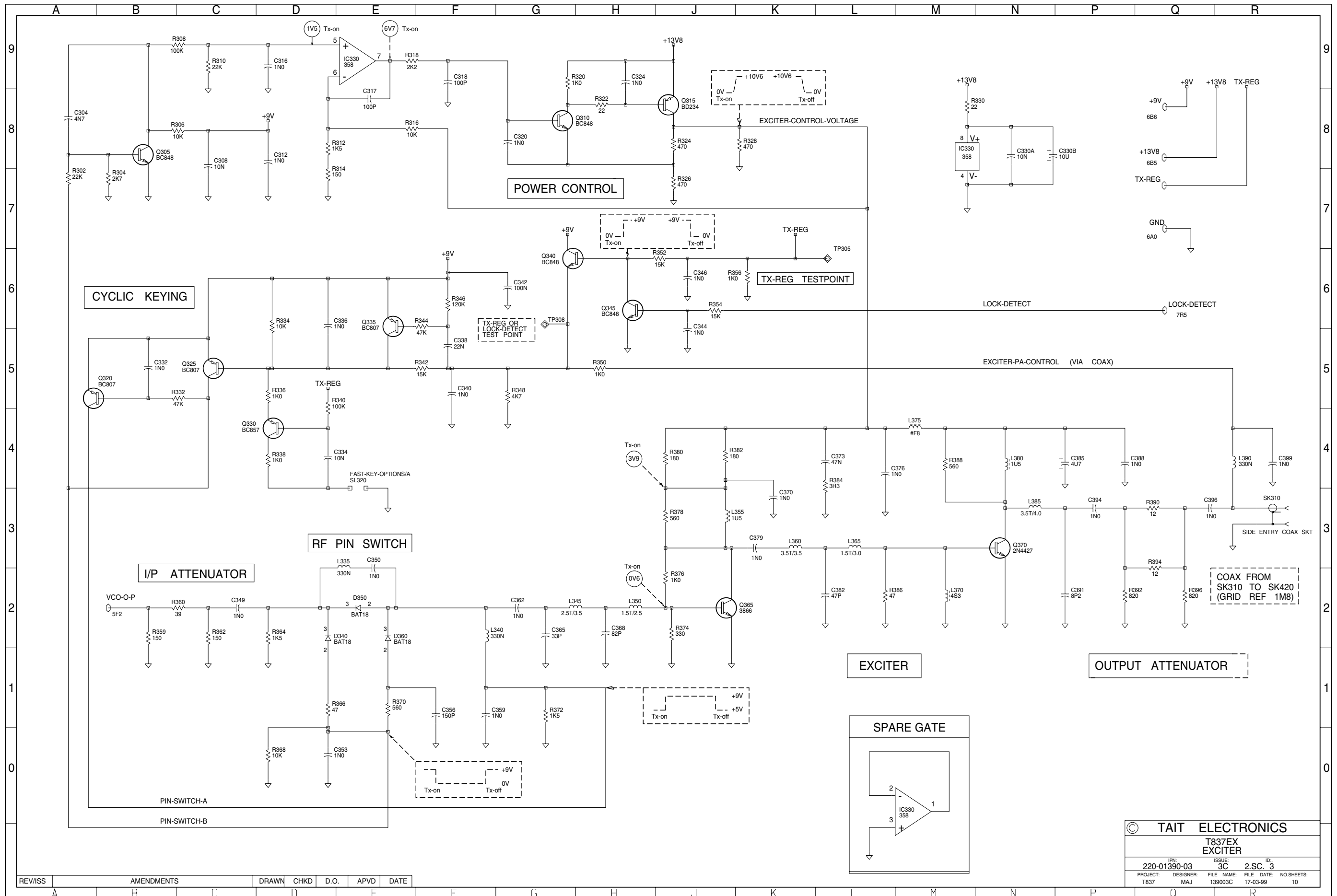
This sheet shows how the T837 circuitry is divided into separate sections which are contained within separate cavities in the chassis. It is laid out to show the approximate location of each section of circuitry on the PCB. The circuitry for each section is shown on separate numbered sheets, and all components on the PCB are numbered to match the sheet on which they appear. For example, all audio components appear on sheet 2 and are numbered between 200 & 299, all exciter components are on sheet 3 and are numbered between 300 & 399, and so on.

REV/ISS	AMENDMENTS	DRAWN	CHKD	D.O.	APVD	DATE
3B	BOM CHANGES ONLY					
3A	ADDED PAGING MOD					
2B	CHANGED L305 FROM 35H45 TO 35H40					
2A	7094.7129.0000.7130					
1A	D-RUN-UPDATE					
0A	ORIGINAL					

PL100
15 WAY R-ANGLE DRANGE PLUG

© TAIT ELECTRONICS			
T837EX			
IPN:	ISSUE:	ID:	
220-01390-03	3C	2.SC.	1
PROJECT:	DESIGNER:	FILE NAME:	FILE DATE:
T837	MAJ	139003C	17-03-99
			NO SHEETS: 10

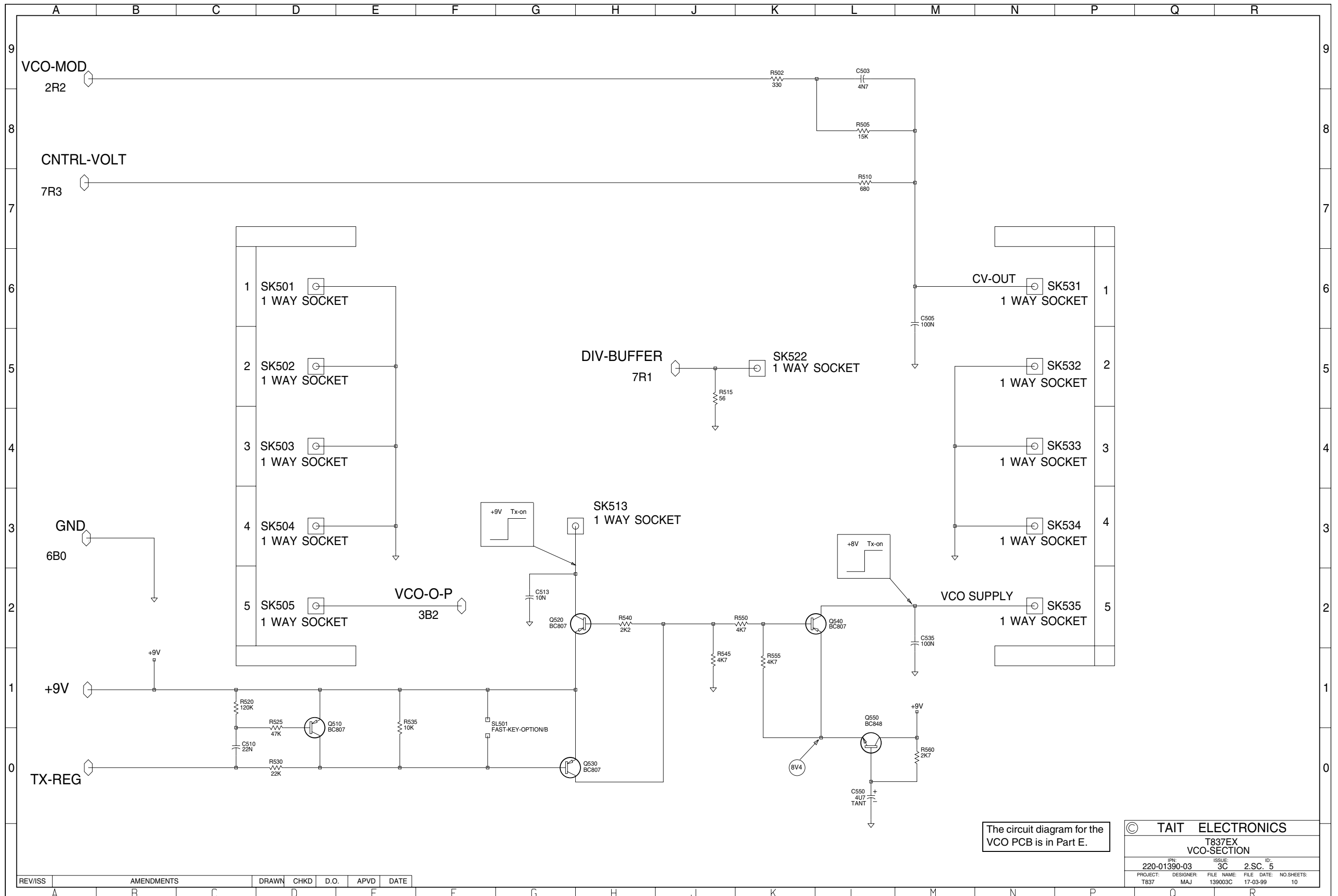




REV/ISS	AMENDMENTS	DRAWN	CHKD	D.O.	APVD	DATE
A						

© TAIT ELECTRONICS
T837EX EXCITER
IPN: 220-01390-03
ISSUE: 3C
ID: 2.S.C. 3
PROJECT: T837 DESIGNER: MAJ FILE NAME: 139003C FILE DATE: 17-03-99 NO.SHEETS: 10

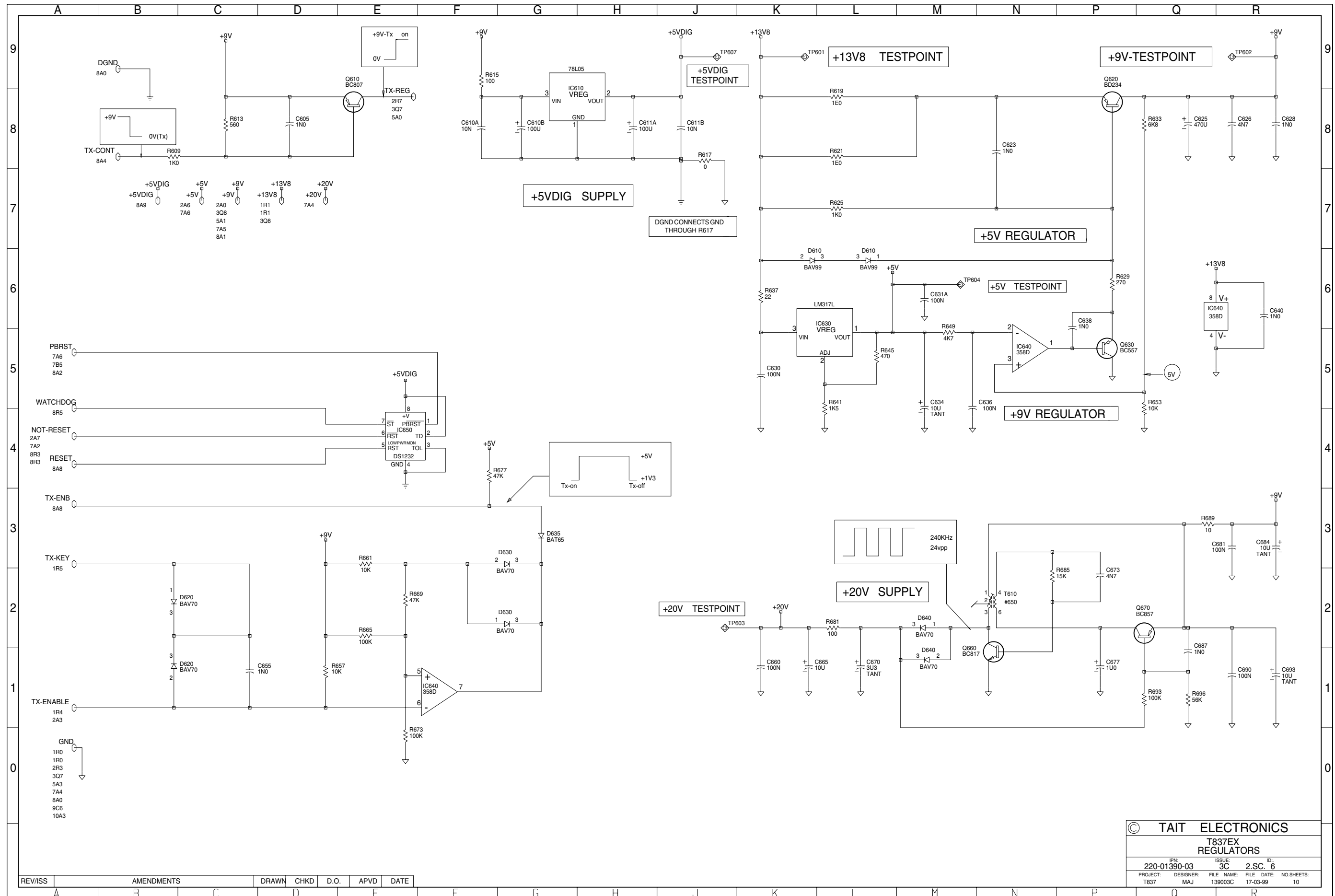
SK420 is the only component in this section of the T837 circuitry and is shown on sheet 1.



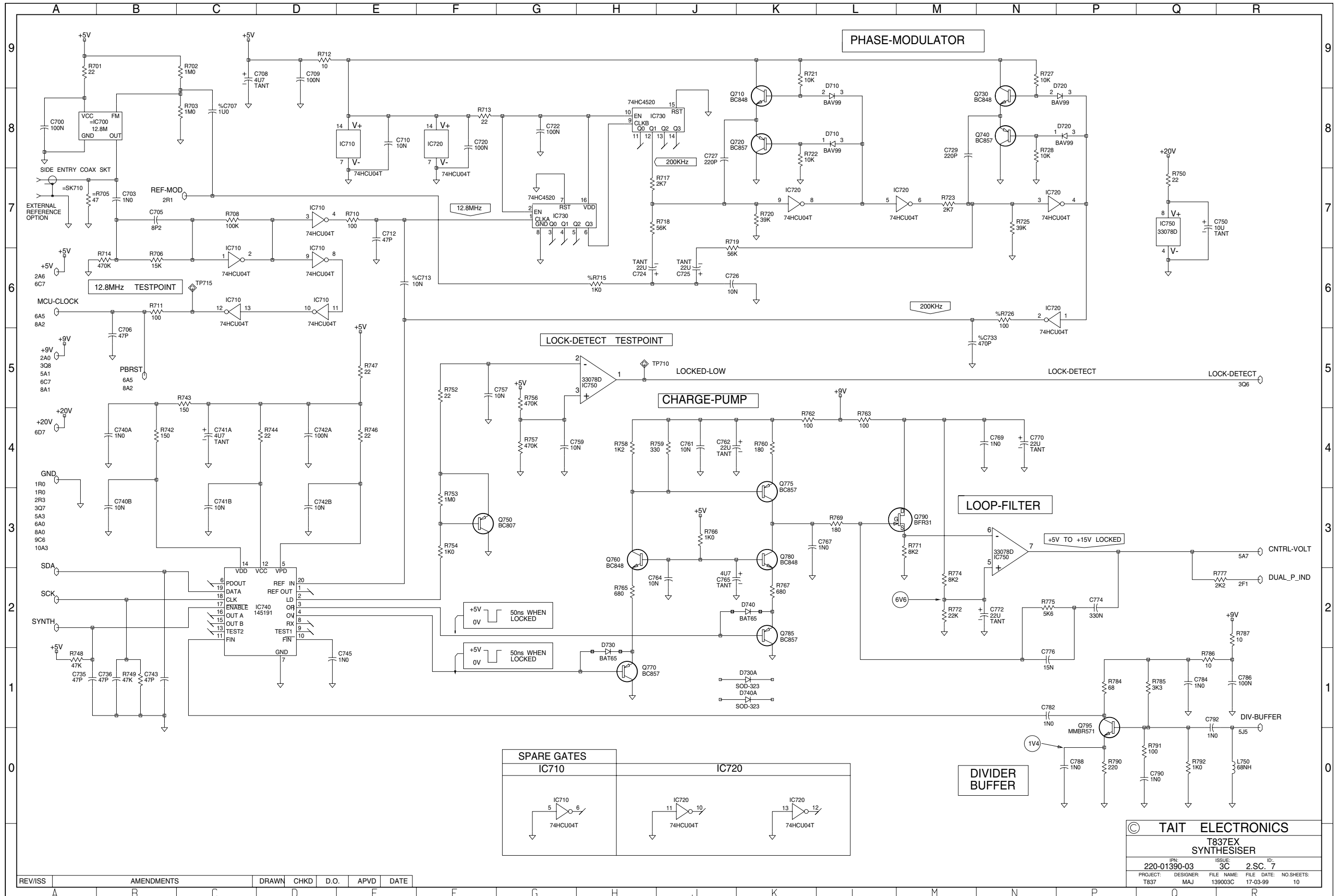
The circuit diagram for the VCO PCB is in Part E.

© TAIT ELECTRONICS			
T837EX VCO-SECTION			
IPN: 220-01390-03	ISSUE: 3C	ID: 2.SC. 5	
PROJECT: T837	DESIGNER: MAJ	FILE NAME: 139003C	FILE DATE: 17-03-99
			NO. SHEETS: 10

REV/ISS	AMENDMENTS	DRAWN	CHKD	D.O.	APVD	DATE
A						

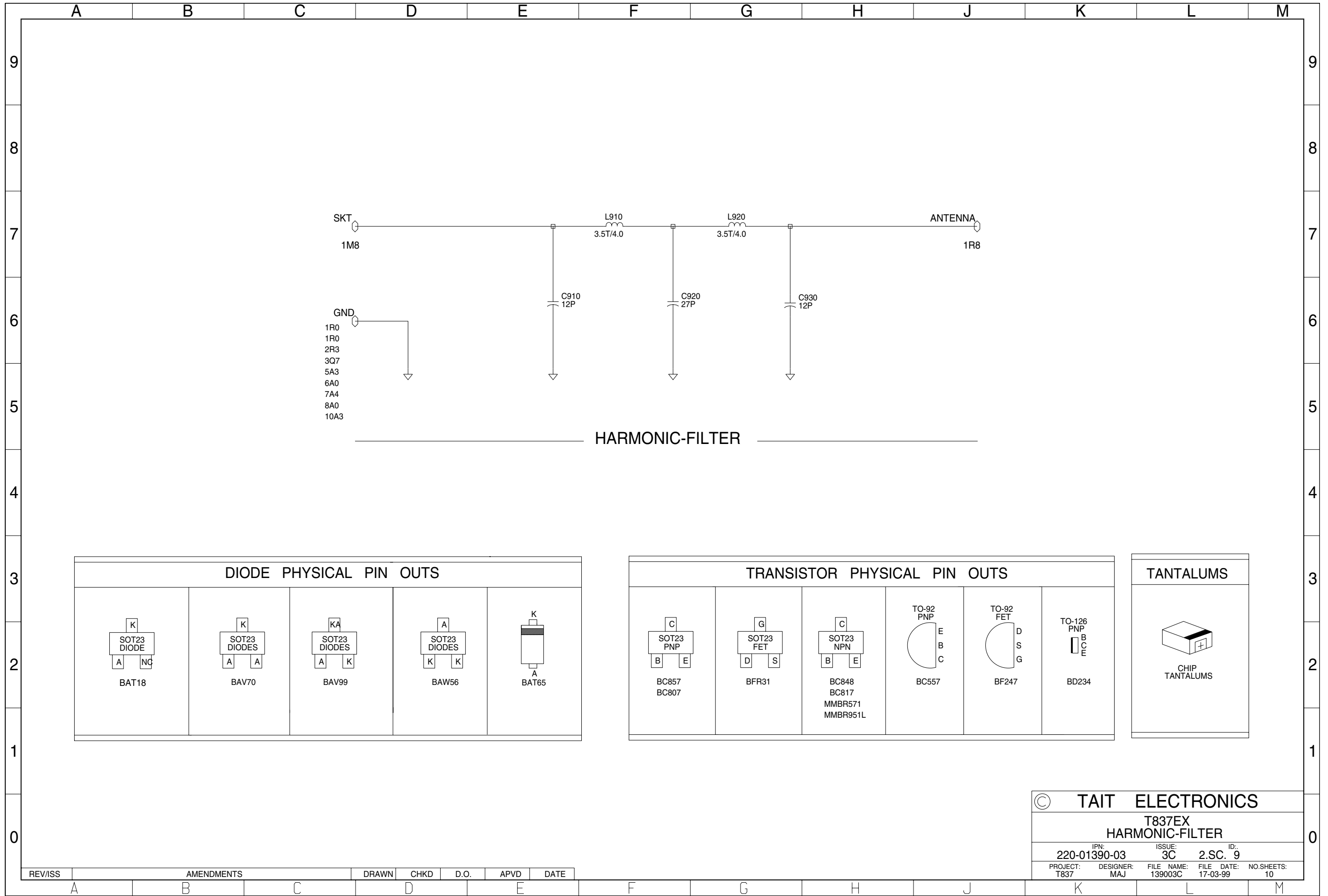


© TAIT ELECTRONICS	
T837EX REGULATORS	
IPN: 220-01390-03	ISSUE: 3C
DESIGNER: MAJ	FILE DATE: 17-03-99
NO SHEETS: 10	2.S.C. 6



© TAIT ELECTRONICS
T837EX SYNTHESISER
IPN: 220-01390-03
ISSUE: 3C
ID: 2.S.C. 7
PROJECT: T837
DESIGNER: MAJ
FILE NAME: 139003C
FILE DATE: 17-03-99
NO. SHEETS: 10

REV/ISS	AMENDMENTS	DRAWN	CHKD	D.O.	APVD	DATE
A	B	C	D	E		



HARMONIC-FILTER

DIODE PHYSICAL PIN OUTS				
BAT18	BAV70	BAV99	BAW56	BAT65

TRANSISTOR PHYSICAL PIN OUTS					
BC857 BC807	BFR31	BC848 BC817 MMBR571 MMBR951L	BC557	BF247	BD234

TANTALUMS
CHIP TANTALUMS

© TAIT ELECTRONICS
 T837EX
 HARMONIC-FILTER

IPN: 220-01390-03	ISSUE: 3C	ID: 2.SC. 9
PROJECT: T837	DESIGNER: MAJ	FILE NAME: 139003C
	FILE DATE: 17-03-99	NO.SHEETS: 10

REV/ISS	AMENDMENTS	DRAWN	CHKD	D.O.	APVD	DATE